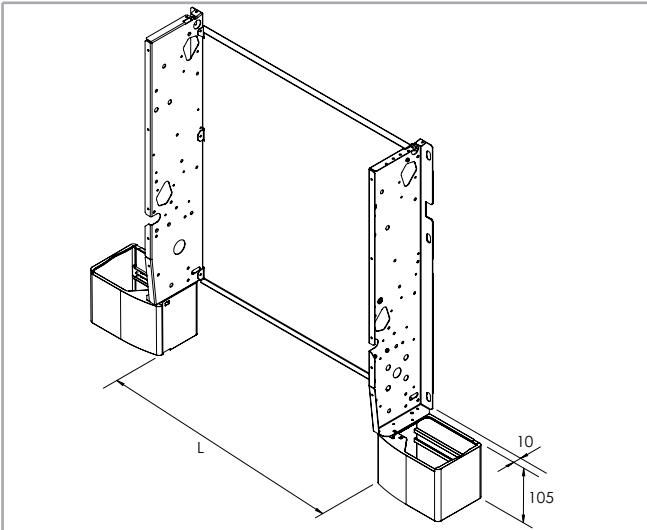


ACCESSORIES

Feet

| Model | Code | ID |
|----------------|---------|-------|
| 10-20-30-40-50 | 9071074 | PAP-F |



| Model | CFF-ECM 10 | CFF-ECM 20 | CFF-ECM 30 | CFF-ECM 40 | CFF-ECM 50 |
|-------|------------|------------|------------|------------|------------|
| D | 300 | 500 | 700 | 900 | 1100 |