

B-90

Medium power burner, suitable for both large-sized civil environments and small-sized industrial environments. High quality materials for long term performances.

Output: **90 kW**



Features:



ECOLOGICAL

Nature thanks

- Heating with neutral CO₂ emissions
- Renewable energy which represents a safe investment for the future



COMFORT

Comfortable and safe

- Automatic combustion system.
- Automatic cleaning of the heating surfaces and of the burner
- Remote assistance and system monitoring available



COST-EFFECTIVE

Investment payback in the short term

- Operating costs reduced by up to 60% compared to diesel / gas systems
- High efficiency thanks to the most modern combustion technology
- Independent of trends in the market prices of fossil fuels
- Allows you to convert your system into a biomass system with only the replacement of the burner and therefore a far lower cost than buying a new boiler
- Quick return on investment

Description

Burner for semi-industrial heating. The compact dimensions make it easy to combine with different types of heating systems.

Designed with round combustion chamber, variable speed fan, internal auger for a more effective dosage, igniter and flame detection photocell.

For a more complete and reliable cleaning it is also possible to connect the device to an air compressor.

The burners is managed by a microprocessor control panel mounted on the appliance.



Safety

Safety thermostat which interrupts the burner operation in case of temperature outside the combustion camera of the device higher than 70 °C.

External auger fan protects against any extraordinary smoke returns.

Security system that locks and signals the system in lockout during any alarm situation

The self-extinguishing flexible hose avoids the thermal connection between the burner and the fuel storage

Two-stage pellet loading using an external auger that loads the fuel from the tank to the burner and an internal auger that conveys everything inside the combustion chamber.

Automatic start after power failure thanks to the memory of recent settings

Smart management of the heating system via smartphone and app.

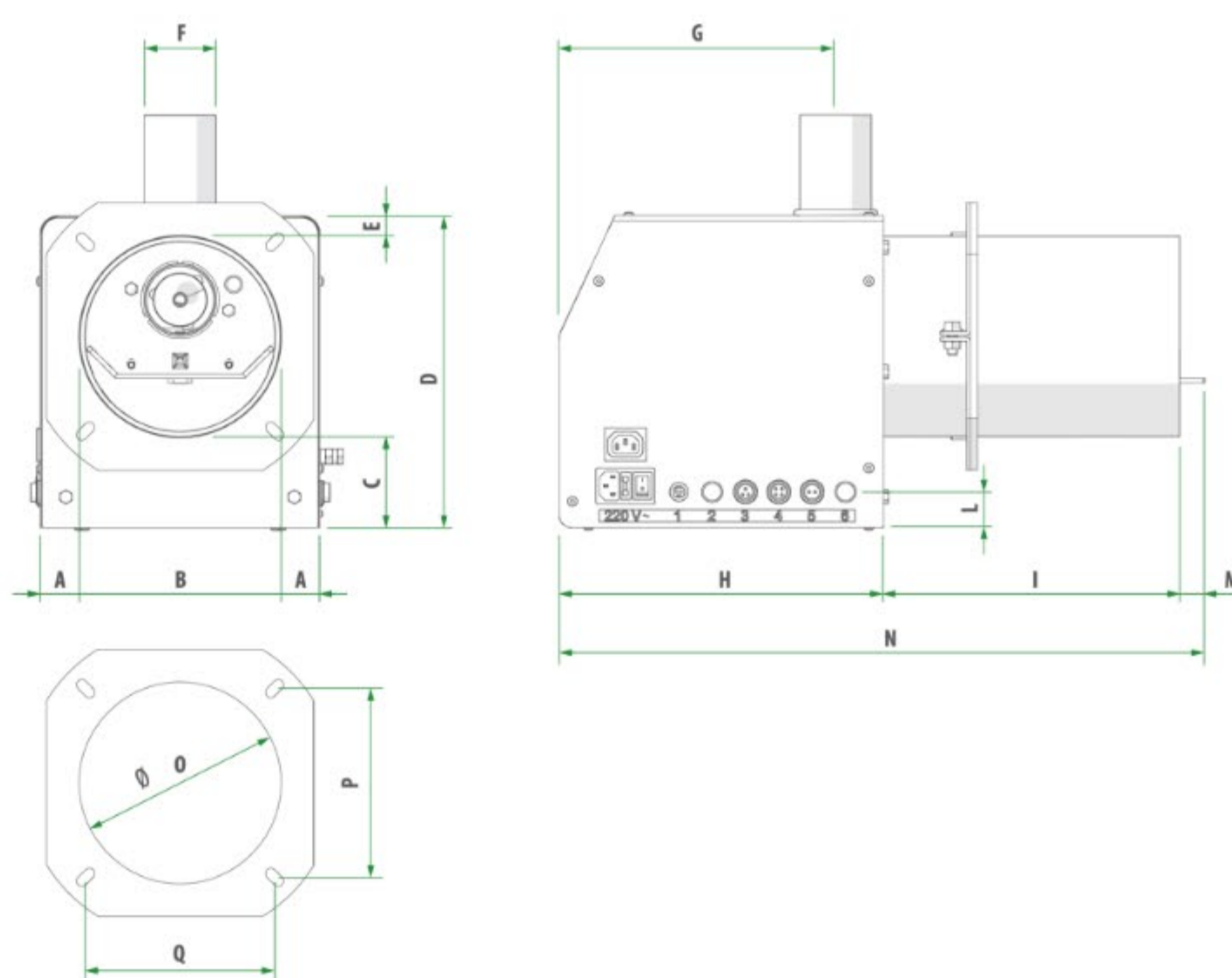
All basic operating parameters and functions are remotely manageable, for constant control wherever you are.



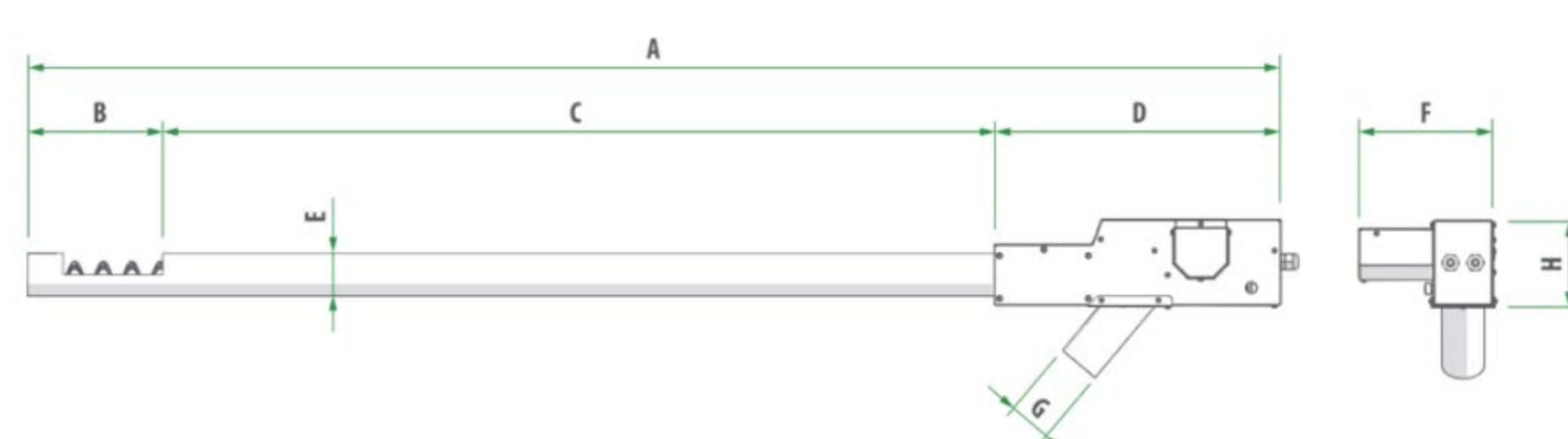
Technical details

Model	B-90		
Thermal capacity	Max	kW	90
	Min	kW	10
Consumption	Max	Kg/h	18
	Min	Kg/h	2
Power supply	V/Hz	230/50	
Average consumption	W	60	
Start-up	W	170	
Noise Level	dB	40	
Weight	Kg	24	

* consumption calculated with certified wood pellets UNI EN 14961-2 con P.C.I. 5,2 kW/kg



model	A	B	C	D	E	F	G	H	I	L	M	N	O	P	Q
	mm	mm	mm	mm	mm	mm	mm	mm	mm	mm	mm	mm	mm	mm	mm
B-90	30,7	193,7	78	290	18,7	60	232	300	300	27	21	621	201	170	180



model	A	B	C	D	E	F	G	H	Weight
	mm	mm	mm	mm	mm	mm	mm	mm	kg
B-90	1760	190	1168	402	60	190	60	120	9